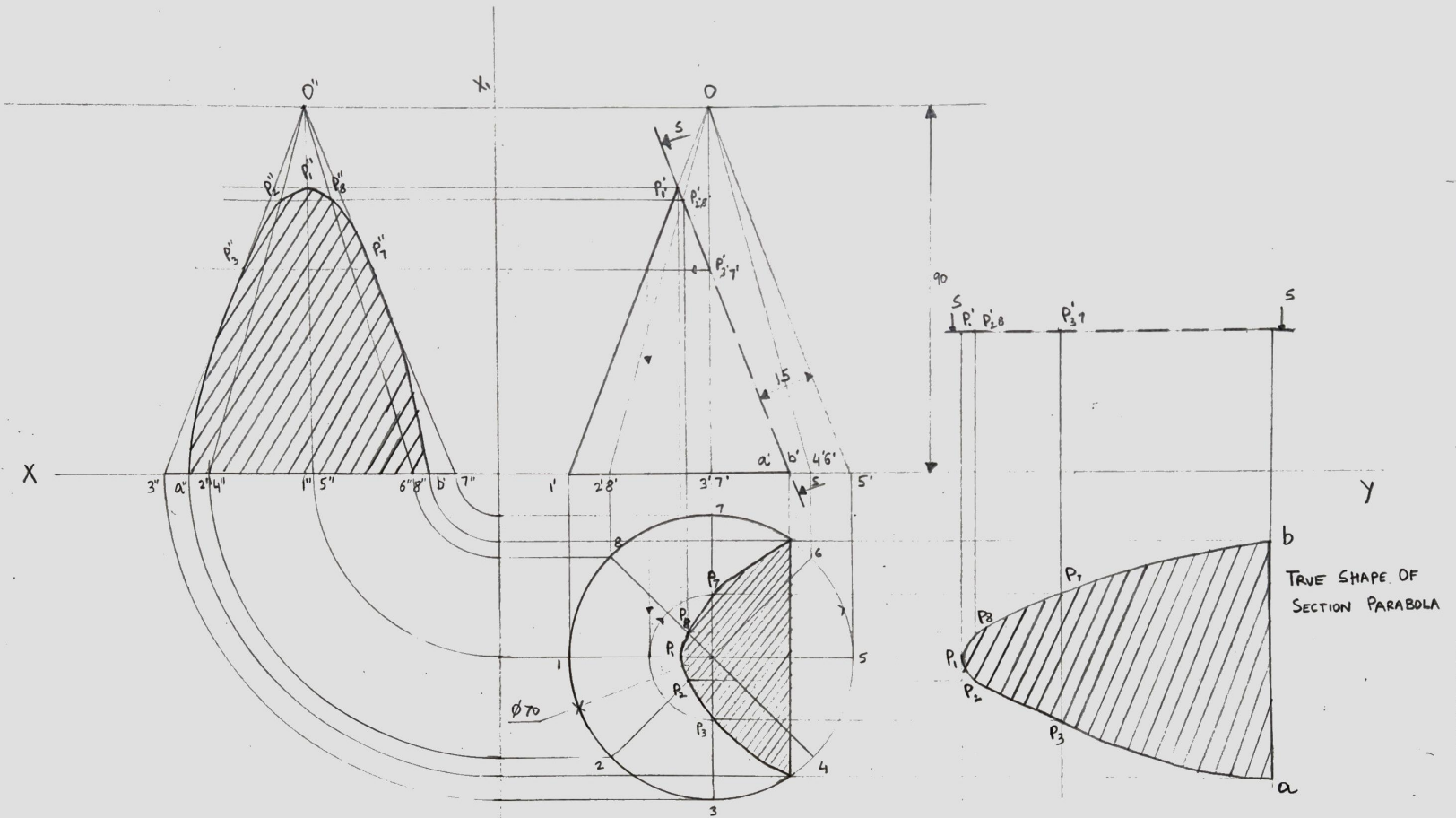
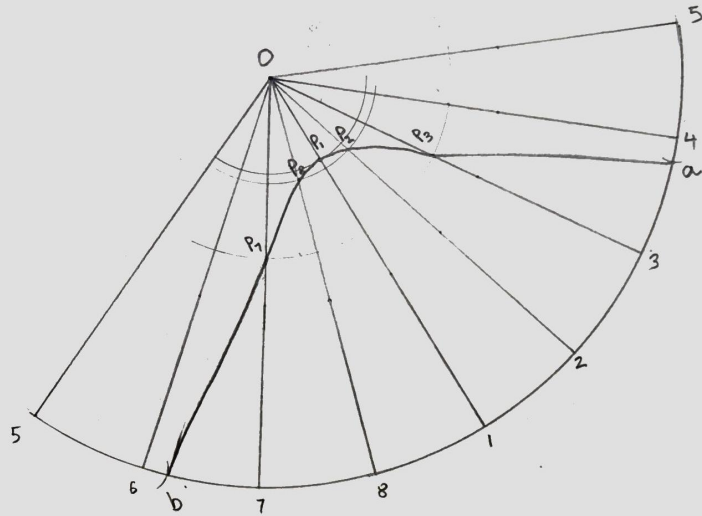


TRUE SHAPE OF SECTION

KJ SOMAIYA COE	
TITLE: Sectional & lateral development	
Name: Pangat Singh D	SHEET NO: 5 Q1
Class: A	GRADE:
Roll No: 16010121045	SIGN:



KJ SOMAIYA COE	
TITLE: SECTION AND LATERAL DEVELOPMENT	
NAME: PARGAT SINGH D	SHEET NO: 5 Q2
CLASS: A	GRADE:
ROLL NO: 16010121045	SIGN:



KJ SOMAIYA COE	
TITLE: SECTION AND LATERAL DEVELOPMENT	
NAME: PARGAT SINGH D	SHEET NO: 5 Q2
CLASS: A	GRADE:
ROLL NO: 16010121045	SIGN: