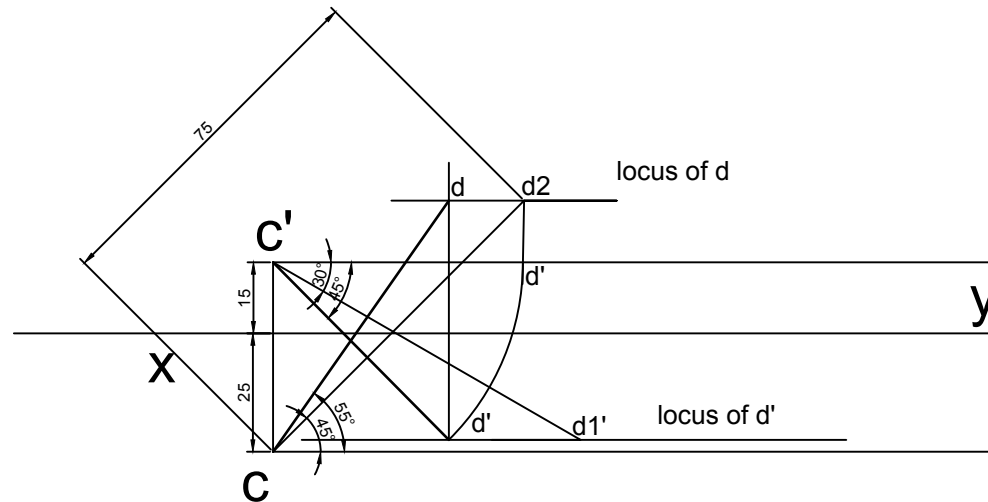


CD TL = 75mm
 c = 25mm below XY
 c' = 15mm above XY
 d = above XY d' = below XY
 $\theta = 30$ degrees $\Phi = 45$ degrees



Q1) A)

All dimensions are in mm

K J SOMAIYA COLLEGE OF ENGINEERING,
VIDYAVIHAR, MUMBAI - 400077

Examination: Term Test 1 (Aug-Dec 2021)

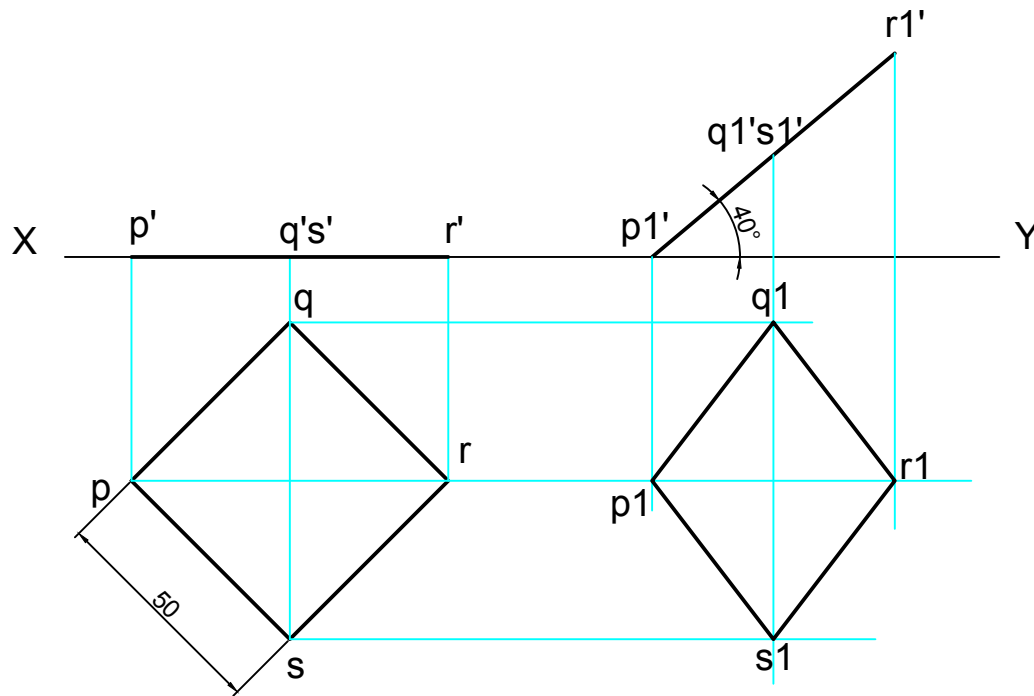
Name of Student : Pargat Singh Dhanjal

Roll No.: 16010121045 | Department: Comps

Div: A

Dt. of exam: 28/2/2022

Set of Question Paper :



Q1) B)

All dimensions are in mm

K J SOMAIYA COLLEGE OF ENGINEERING,
VIDYAVIHAR, MUMBAI - 400077

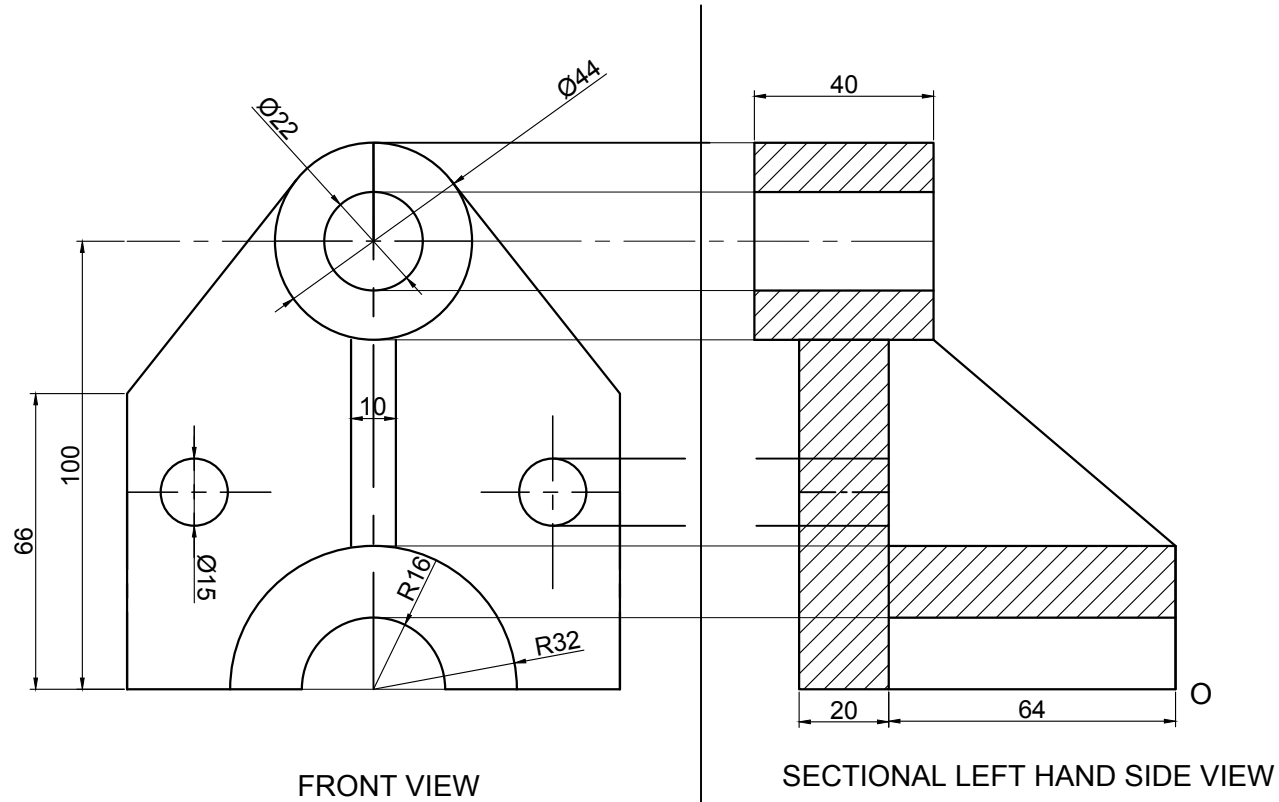
Examination: Term Test 1 (Aug-Dec 2021)

Name of Student : Pargat Singh Dhanjal

Roll No.: 16010121045 Department: Comps

Div: A Dt. of exam: 28/2/2022

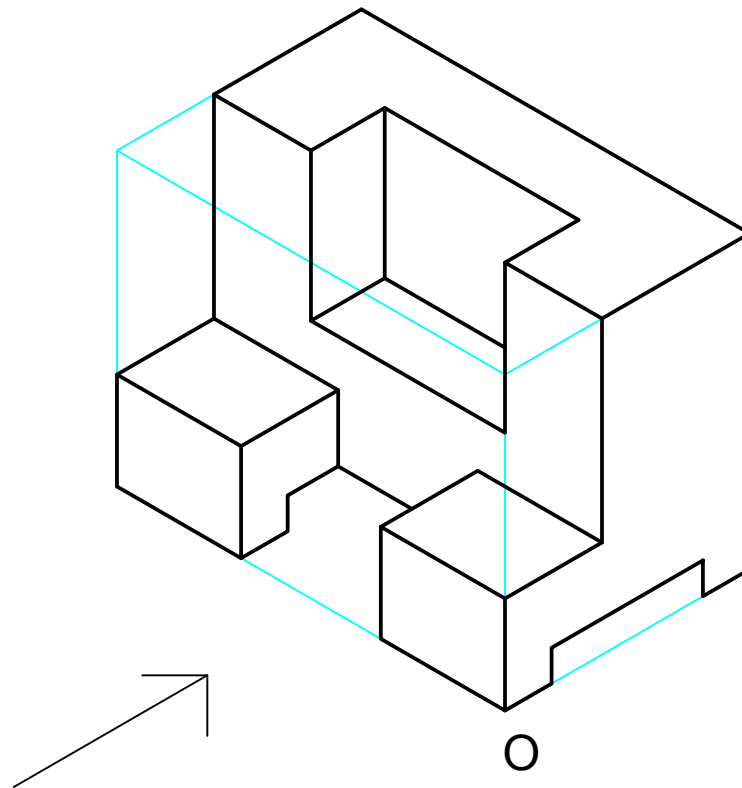
Set of Question Paper :



Q2)

All dimensions are in mm

K J SOMAIYA COLLEGE OF ENGINEERING, VIDYAVIHAR, MUMBAI - 400077	
Examination: Term Test 1 (Aug-Dec 2021)	
Name of Student : Pargat Singh Dhanjal	
Roll No.: 16010121045	Department: Comps
Div: A	Dt. of exam: 28/2/2022
Set of Question Paper :	



Q3)

All dimensions are in mm

K J SOMAIYA COLLEGE OF ENGINEERING,
VIDYAVIHAR, MUMBAI - 400077

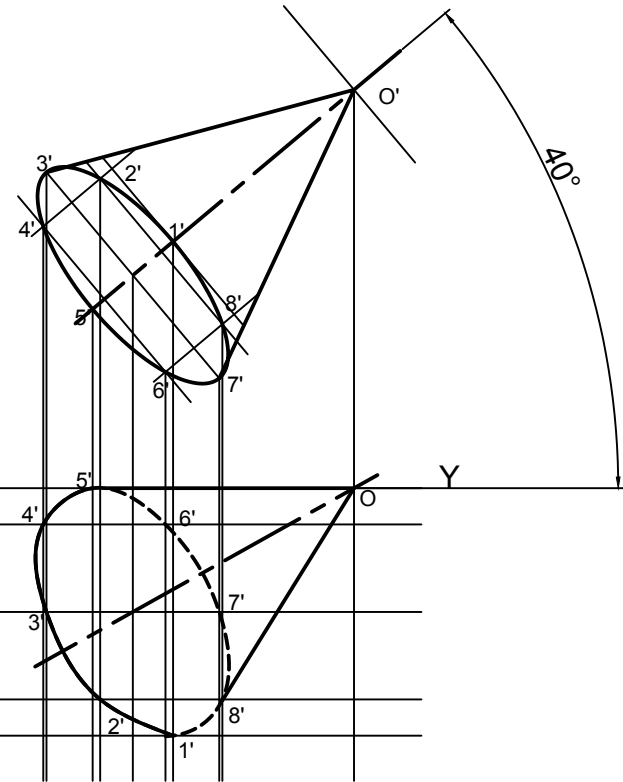
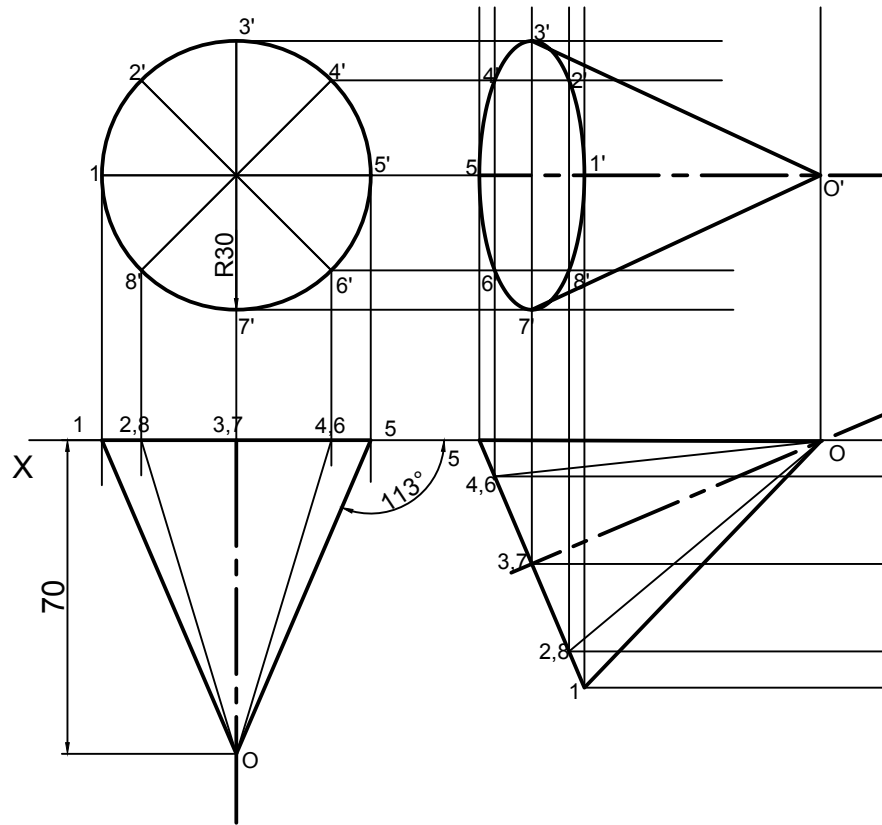
Examination: Term Test 1 (Aug-Dec 2021)

Name of Student : Pargat Singh Dhanjal

Roll No.: 16010121045 | Department: Comps

Div: A | Dt. of exam: 28/2/2022

Set of Question Paper :



Q4)

All dimensions are in mm

K J SOMAIYA COLLEGE OF ENGINEERING,
VIDYAVIHAR, MUMBAI - 400077

Examination: Term Test 1 (Aug-Dec 2021)

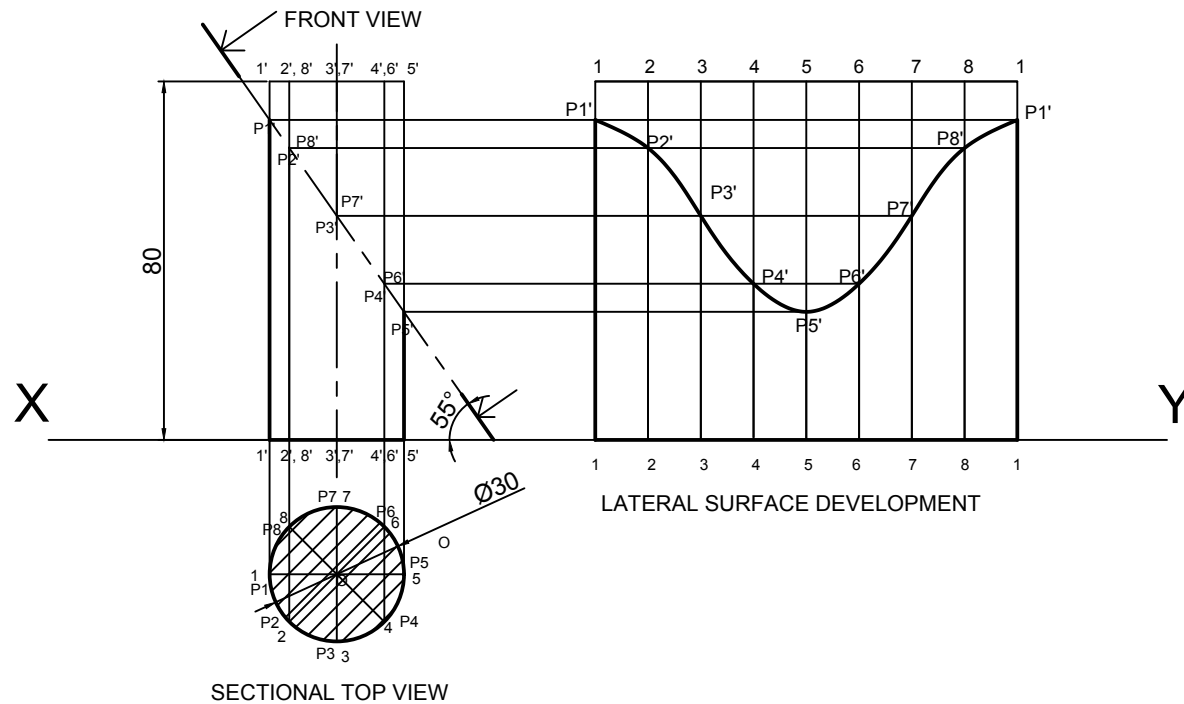
Name of Student : Pargat Singh Dhanjal

Roll No.: 16010121045 | Department: Comps

Div: A

Dt. of exam: 28/2/2022

Set of Question Paper :



Q5)

All dimensions are in mm

K J SOMAIYA COLLEGE OF ENGINEERING,
VIDYAVIHAR, MUMBAI - 400077

Examination: Term Test 1 (Aug-Dec 2021)

Name of Student : Pargat Singh Dhanjal

Roll No.: 16010121045 Department: Comps

Div: A

Dt. of exam: 28/2/2022

Set of Question Paper :