

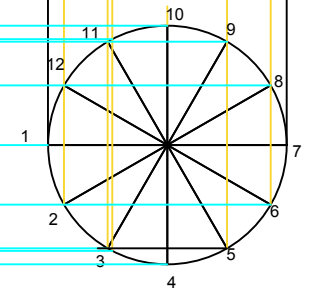
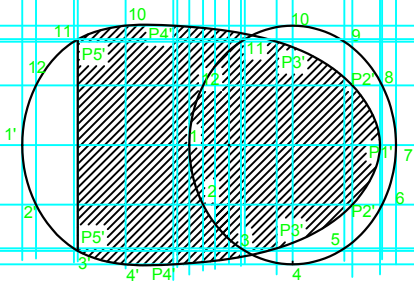
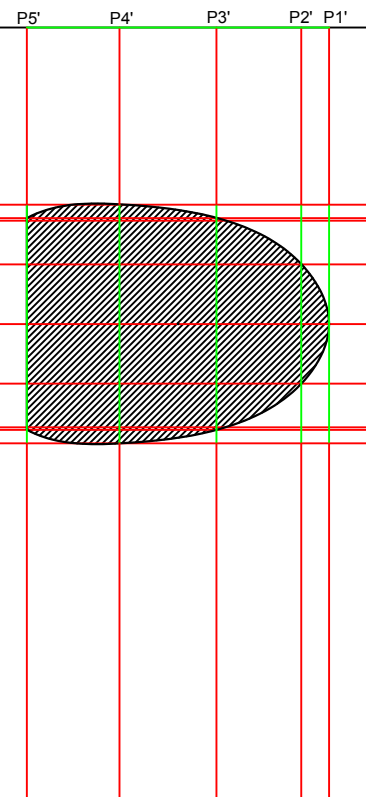
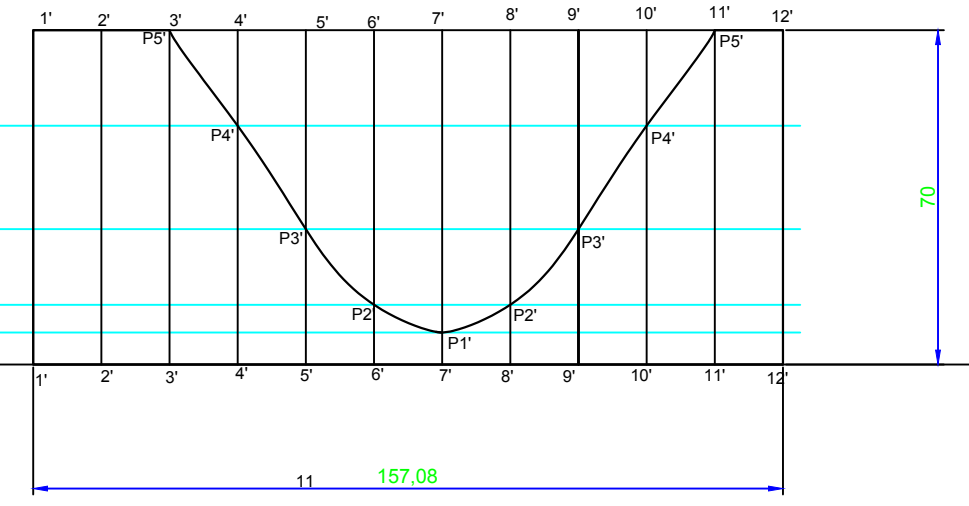
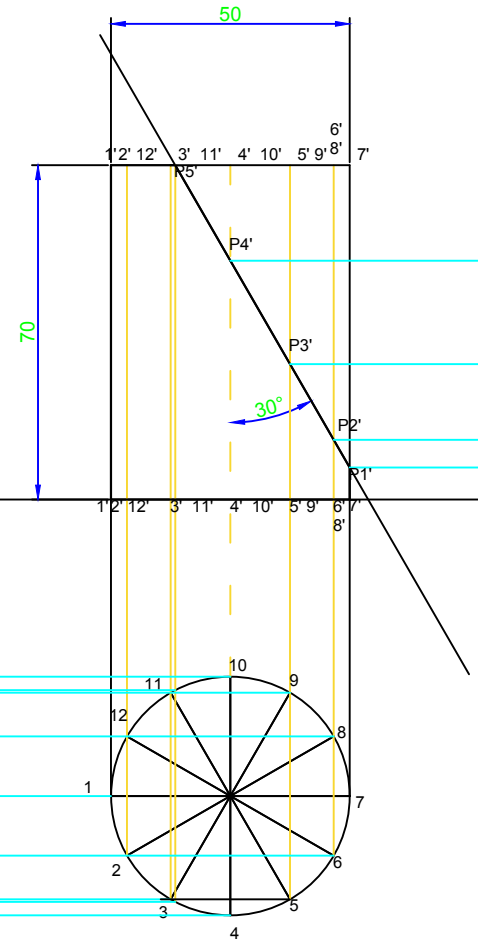
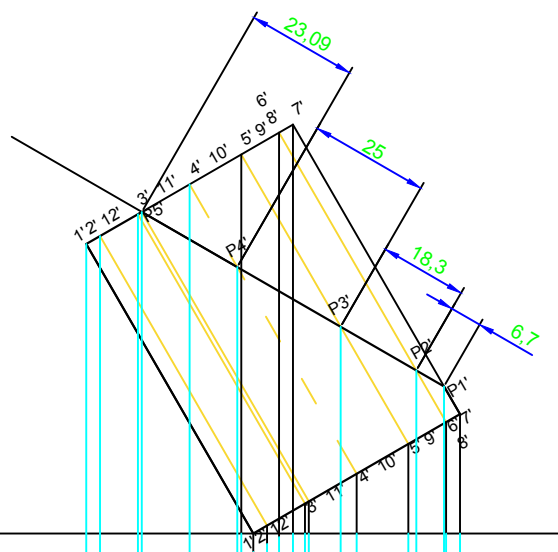
**K.J. SOMAIYA COE**

TITLE: Section and lateral development of regular solids

NAME: Pargat Singh SHEET NO.: 5 Q1

CLASS: A2 GRADE:

ROLL NO.: 16010121045 SIGN:



<b>K.J. SOMAIYA COE</b>	
TITLE: Section and lateral development of regular solids	
NAME: Pargat Singh	SHEET NO.: 5 Q2
CLASS: A2	GRADE:
ROLL NO.: 16010121045	SIGN: