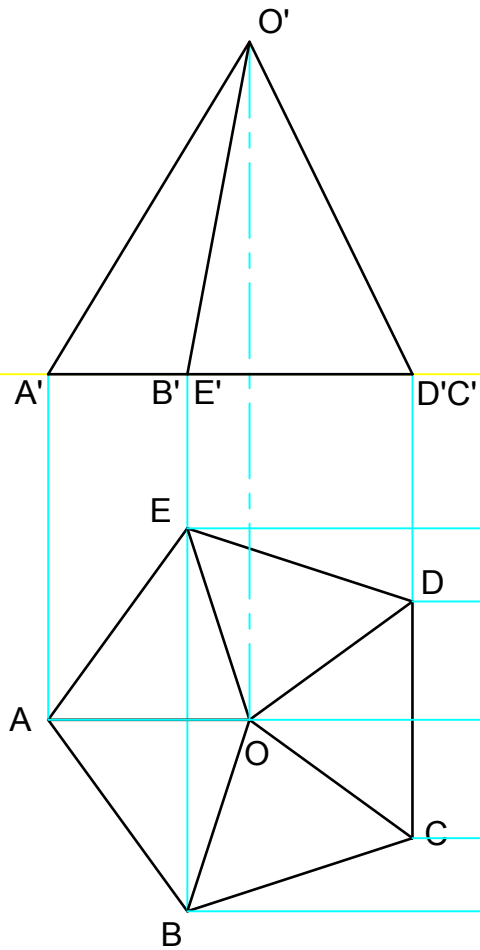
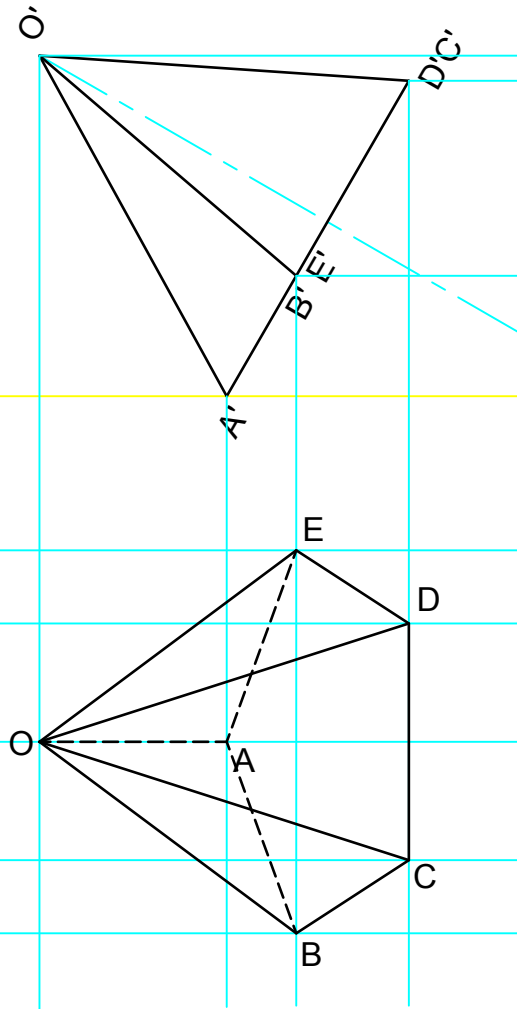


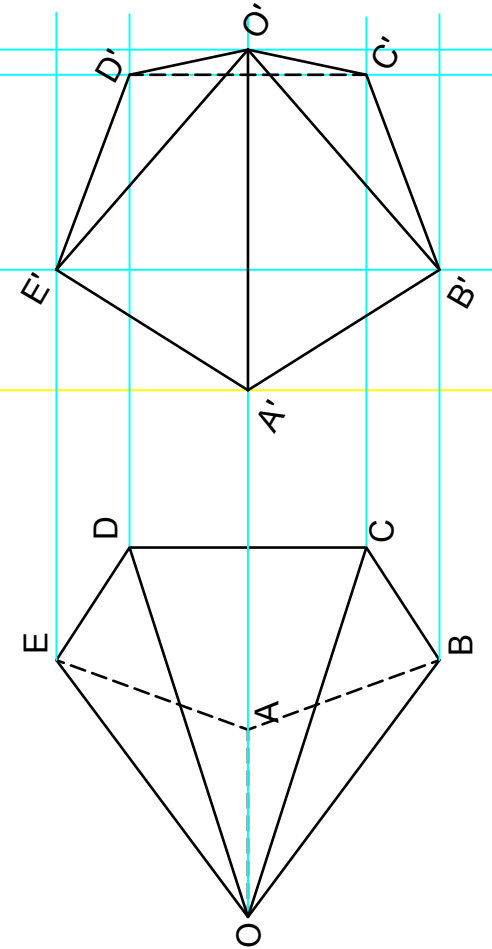
I Stage



II Stage



III Stage



K.J. SOMAIYA COE

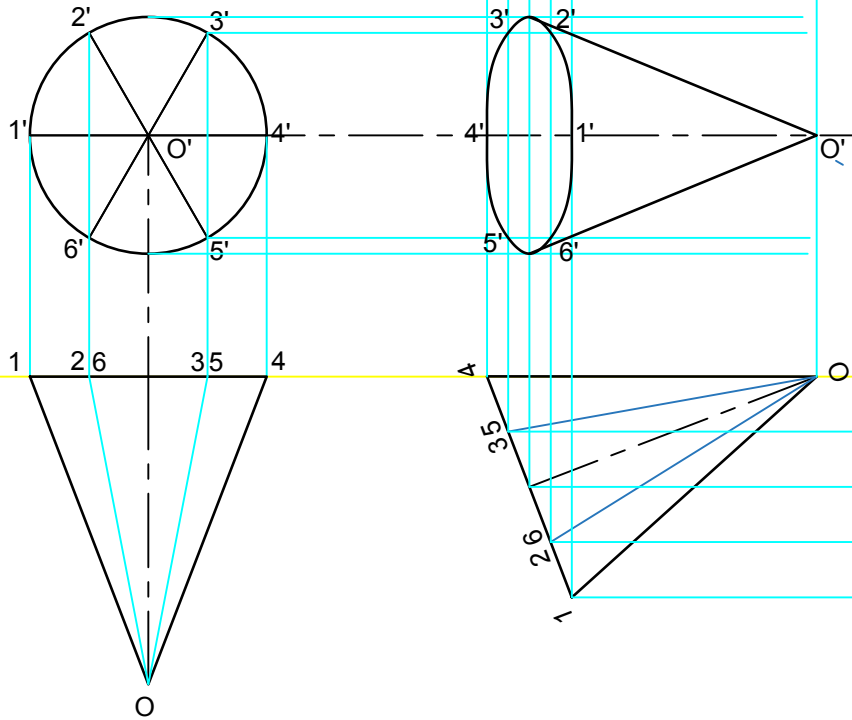
TITLE: Projection of regular solids

NAME: Pargat Singh SHEET NO.: 4 (CO4)

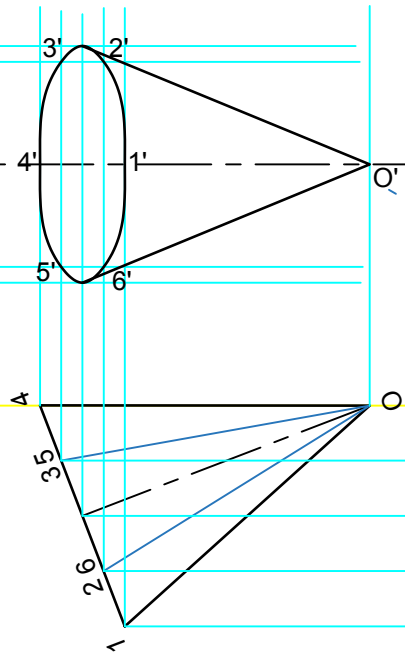
CLASS: A2 GRADE:

ROLL NO.: 16010121045 SIGN:

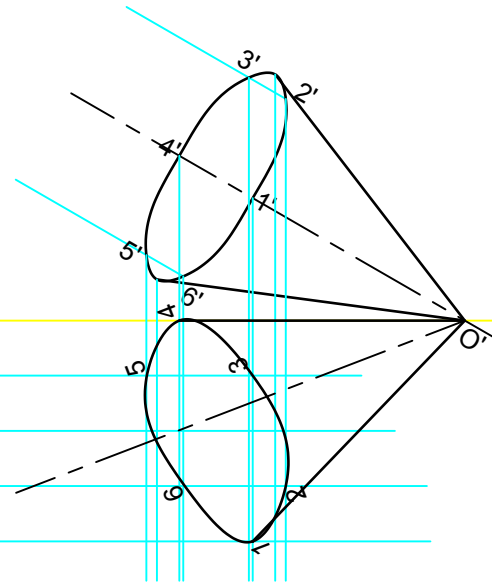
I STAGE



II STAGE



III STAGE



K.J. SOMAIYA COE

TITLE: Projection of regular solids

NAME: Pargat Singh SHEET NO.: 4 (CO4)

CLASS: A2 GRADE:

ROLL NO.: 16010121045 SIGN: