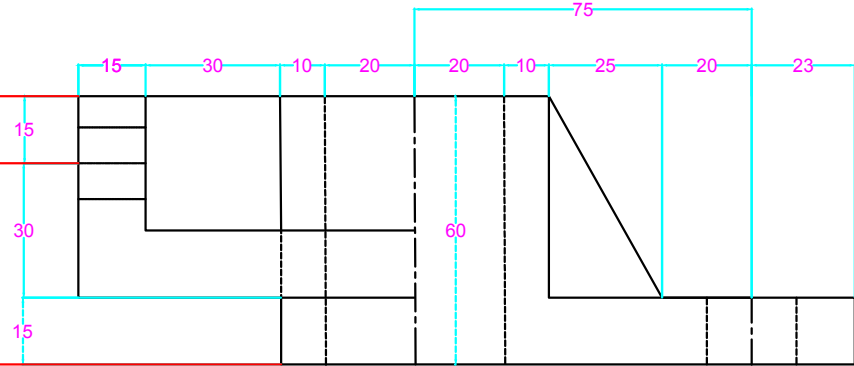
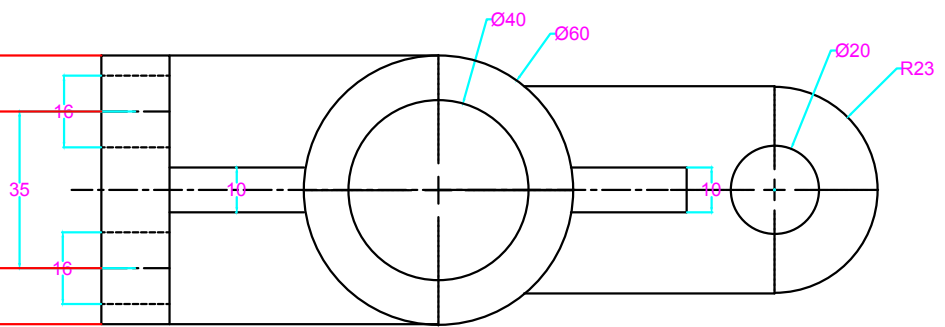


SIDE VIEW

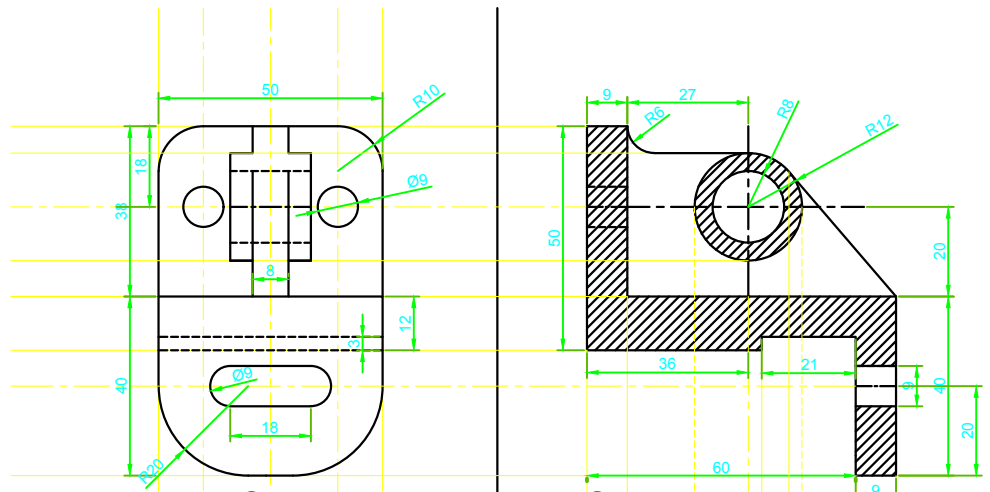


FRONT VIEW



TOP VIEW

<b>K.J. SOMAIYA COE</b>	
TITLE: Orthographic and sectional views.	
NAME: Pargat Singh	SHEET NO.: 1 (CO2)
CLASS: A2	GRADE:
ROLL NO.: 16010121045	SIGN:



RHS View

Sectional Front View

Top View

**K.J. SOMAIYA COE**

TITLE :Orthographic and Sectional Orthographic Projections

NAME: Pargat Singh	SHEET NO.: 2 (CO2)
CLASS: A2	GRADE:
ROLL NO.: 16010121045	SIGN: